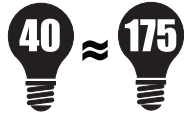


LED Site / Warehouse / Garage Series



Stock No. Product Description

LED-8040 PAR56-120/277-40-40-DL (Daylight)

Description:

Fully encapsulated, 100 - 277 Volt, E39/E40 mounting that integrates energy saving LED technology into a powerful yet energy saving SMD LED 'low bay / garage' lamp.

Available in Daylight (DL).

- 40 Watt
- 100 - 277 Volt operation
- Daylight DL (5000K)
- 2400 lumens
- 40 on-board LED SMDs
- Up to 50,000 hour lamp life
- Minimal heat output
- Not Dimmable
- 5 year warranty

Applications:

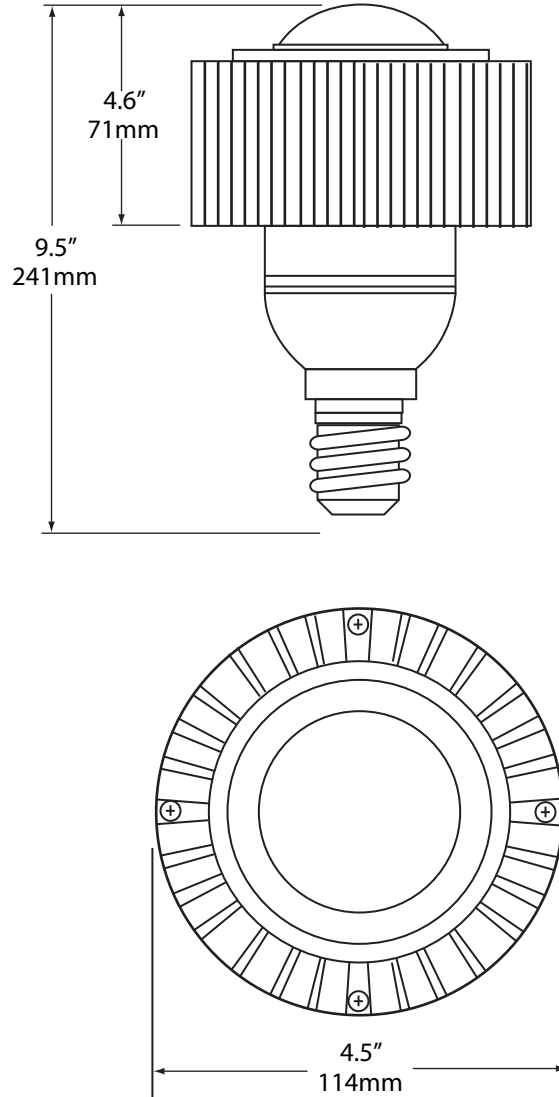
LED Site / Warehouse / Garage Series lamps can impact energy usage and costs in a major way for communities and housing developments with minimal to no maintenance costs thanks to the up to 50,000 hour lamp life.

- Site / Roadway / Post Top
- Wall packs (where applicable)
- Security lighting
- Parks and quads
- Municipal lighting

Packaging:

Master-pack: 4 each

NOTE: When retrofitting LED to HID fixture, ballast must be by-passed when present. Eliminating the ballast saves additional costs related to maintenance, energy consumption and performance. Additionally, by-passing ballast will insure no RFI interference.



Technical Specifications:

| | | | |
|-----------------|----------------------------------|----------------|-------------------|
| Bulb Type: | Site/Warehouse/Garage | Mounting: | Mogul E39/E40 |
| Bulb Material: | Aluminum/Acrylic | Replaces: | 175W HPS |
| UV: | None | Life Time: | Up to 50,000 Hrs. |
| Output Power: | 40W | Input Voltage: | AC 100 - 277V |
| Lumens: | 2400 | Beam Angle: | 150° |
| Dimensions: | 9-1/2" x 4-1/2" 241mm x 114mm | Kelvin Temp.: | (DL) 5000K |
| Lumen per Watt: | 60 | LEDs: | 40 |
| Frequency: | 47 - 63Hz | Mercury: | None |
| | | CRI: | 65 |

NOTE: Light Emitting Designs is providing this information to the general public. Please note that all products contained herein are trademarked, copyrighted, and/or have patents pending. Any use of these designs is strictly prohibited without prior written consent. Light Emitting Designs protects its proprietary information vigorously in the courts of the United States of America.

