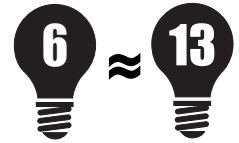


# LED Fluorescent PL Retrofit Series



Stock No.	Product Description
LED-8070	PL-120-6-18-SW (Soft White)

### Description:

Fully encapsulated, 120 Volt, Gx23-2 mounting that integrates energy saving LED technology into a stylish T4 down or side light fluorescent format. Available in Soft White (SW).

- 6 Watt
- 120 Volt operation
- Soft White SW (3200K)
- Compare to 13W compact fluorescent
- 18 on-board LED SMDs
- Up to 50,000 hour lamp life
- Minimal heat output
- Not dimmable
- 5 year warranty

### Applications:

LED T4 Retrofits can impact energy usage and costs in a major way with absolutely no danger of mercury vapor contamination.

- Display
- Computer and equipment rooms
- Hospitality lighting
- Residential and institutional utility room
- Lab and clean room lighting
- Gallery and art illumination
- Wall wash

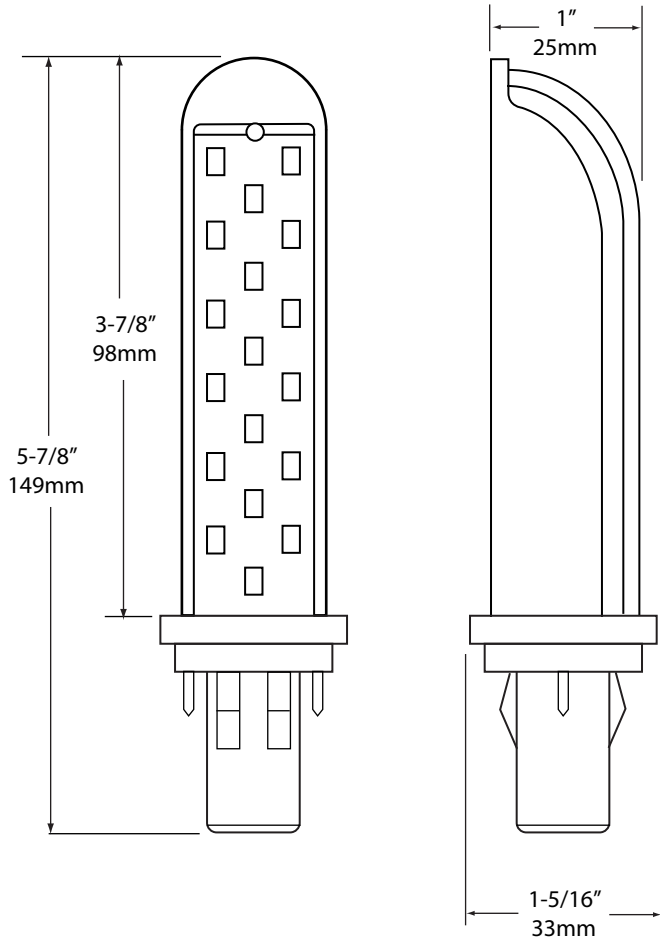
Replaces GE Ecolux Biax T4

### Packaging:

Sub-pack: 12 each  
Master-pack: 24 each

**NOTE: When retrofitting LED to fluorescent fixture, ballast must be by-passed when present. Eliminating the ballast saves additional costs related to maintenance, energy consumption and performance. Additionally, by-passing ballast will insure no RFI interference.**

**JOIN THE RETROFIT REVOLUTION™**



### Technical Specifications:

Bulb Type:	T4 Fluorescent PL	Mounting:	Gx23-2
Bulb Material:	Premium grade aluminum.	Replaces:	13W
		Life Time:	Up to 50,000 Hrs.
		Output Power:	6W
Lumens:	225	Input Voltage:	85 - 130 VAC
Dimensions:	5-7/8" x 1-5/16"	Beam Angle:	160°
	149mm x 33mm	Kelvin Temp.:	(SW) est. 3200K
LEDs:	18	Lumen per Watt:	40
CRI:	80	Mercury:	None

NOTE: Light Emitting Designs is providing this information to the general public. Please note that all products contained herein are trademarked, copyrighted, and/or have patents pending. Any use of these designs is strictly prohibited without prior written consent. Light Emitting Designs protects its proprietary information vigorously in the courts of the United States of America.

108 S. Wynstone Park Drive • Suite 103 • N. Barrington, IL 60010 • (847) 380-3540  
FAX: (847) 380-3542 www.led-llc.com Specs subject to change without notice. 012610\_LED-8070

