

LED MR11 Series



LED-MR11-12-3-30-SW (Soft White)

LED-MR11-12-3-30-DL (Daylight)

LED-MR11-12-3-30-NW (Neutral White)

Description:

Fully encapsulated, 12 Volt, 3 Watt, G4 bi-pin mounting that integrates energy saving LED technology into a MR11 format. Available in 3000K (Soft White), 5000K (Daylight), and 4100K (Neutral White) color temperature.

- Standard G4 bi-pin base allows mounting wherever MR11 bi-pin is accepted.
- 3 Watt, 12 Volt Low Voltage operation. Fixture mounted or remote transformer required.
- Soft White (3000K), Daylight (5000K), Neutral White (4100K)
- Compare to 15W MR11 light output.
- 30 on-board LED diodes
- Up to 50,000 hour lamp life.
- Very low heat output.

Applications:

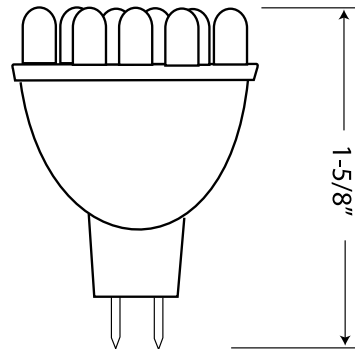
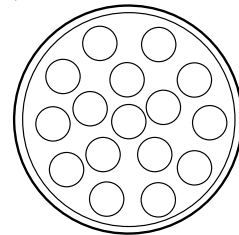
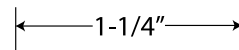
The LED-MR11 3W lamp has been designed to retrofit existing MR11 installations, thereby reducing maintenance and energy expenditures - and as an energy saving light source for new fixtures and installations.

- Retail display applications
- Task lighting
- Recessed downlighting
- Undercabinet lighting (especially where heat is a factor)
- Hospitality and institutional retrofit
- Underwater fixtures and applications
- Residential lighting
- Non-dimmable
- 2 year warranty

Technical restrictions:

Use with magnetic transformers only or approved LED electronic.

NOTE: For indoor use only in 'open air', or nearly 'open air' fixtures, such as exposed track and suspended fixtures. All LED bulbs cannot be used in fully enclosed fixtures.



Technical Specifications:

Bulb Type:	MR11	Base Type:	G4 Bi-pin
Bulb Material:	Glass	Replaces:	15W
Lumens:	85	Life Time:	up to 50,000 Hrs.
Input Voltage:	12V	Output Power:	3W
Dimensions:	1-1/4" x 1-5/8"	Beam Angle:	30°
Light Source:	30 pc LED	Color:	est. 3000K (SW)
Luminosity:	Distance 2 feet		est. 5000K (DL)
Lumens / Watt:	28		est. 4100K (NW)

Note: All specification information falls within a ± 2% range

NOTE: Light Emitting Designs is providing this information to the general public. Please note that all products contained herein are trademarked, copyrighted, and/or have patents pending. Any use of these designs is strictly prohibited without prior written consent. Light Emitting Designs protects its proprietary information vigorously in the courts of the United States of America.

108 S. Wynstone Park Drive • Suite 103 • N. Barrington, IL 60010 • (847) 380-3540
 FAX: (847) 380-3542 www.led-llc.com Specs subject to change without notice. 012610_MR1112330

JOIN THE RETROFIT REVOLUTION™



Light Emitting Designs
 Environmental Lighting Solutions
a division of TADD, LLC