

# LED-8082M 45W LED for HID Retrofit for Recessed or Pendant

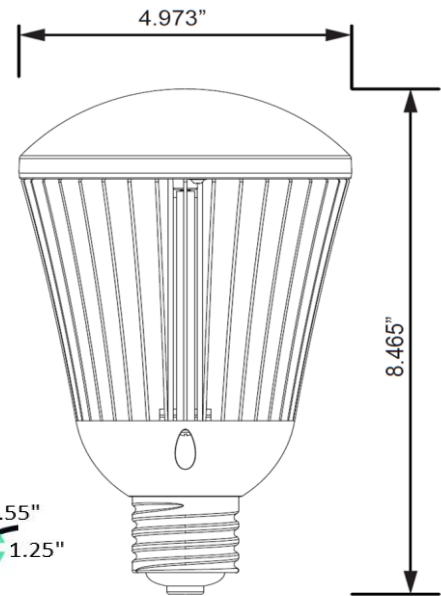


## Models

LED-8082MXX, 120-277VAC, cULus, 2700K, 4000K or 5700K CCT, E39

## Features

- > 45W LED Replaces 175 HID Lamp or 500W Halogen
- > Meanwell Driver LPF-40D-48 included
- > IP64 Lamp and IP67 Remote/External Driver
- > 0-10V, PWM, or Resistive dimming when used with lighting controls
- > UL approved for wet environments
- > 50,000 hour rated LED life (supported by LM80 and ISTMT reports (see website)
- > 5 Year Limited Warranty - see website for details
- > UL1598C retains fixture UL Listing
- > Rated for enclosed fixture

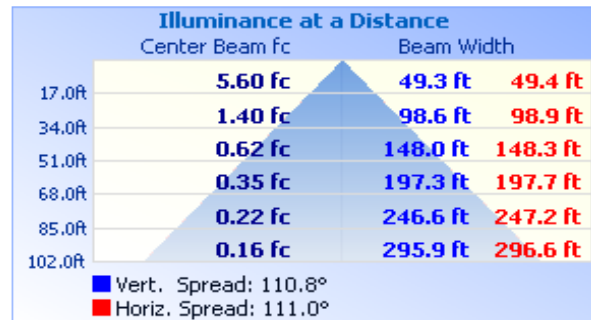


## Technical Specifications

Models US/CAN	LED-8082M27	LED-8082M40	LED-8082M57
CCT	2700K	4000K	5700K
Power Consumption	45 watts		
Replaces	175 MH/HPS		
Mounting	E39		
Voltage	120-277VAC (USA & CAN)		
LED Type	2835		
Beam Angle	120°		
Dimmable	Yes		
Operating Temp	-40°F - +122°F		
Rated R70 Life	Up to 50,000 Hrs.		
Warranty	5 Year Limited*		
<b>LM79 Specifications</b>	Yes	Yes	Yes
Power (W)	42.19	41.63	42.79
CCT	2614	3933	5775
Light Output	3985	5010	5229
Efficacy	94.42	120.35	122.2
THD @ 277V	12.90%	5.75%	5.64%
PF @ 277V	0.904	0.99	0.98
CRI:	82.2	83.8	81.2
R9	6	13	1
Duv	0.0001	0.0006	0.0023
Packaging	6/ Master Carton		
Unit	8.5"x 6.7"x 10.3" X.X lbs.		
Master	20.8"x 17.5" x 11" XX.X lbs.		



## Illuminance Plots



## Installation Notes:

- Ballast must be bypassed
- Installing surge/lightning protectors is highly recommended

LED Power Consumption (Watts)	HID Power Consumption (Watts)	HID Ballast Power Consumption (Watts)	Total Savings (Watts)	Annual Energy Savings (14 hrs/day)	Lifetime Energy Savings (over 50,000 hrs)
45	175	30	160	\$90	\$880.00

Mounting Orientation			Minimum Fixture Size Requirements (inches)	
Base Up	Base Down	Horiz	Length	Width
			10	6.9
Approved	Approved	Approved	Height	6.9
			Cu. Inches	476.1



188 S. Northwest Highway • Cary, IL 60013  
 (847) 380-3540 • FAX: (847) 380-3542  
 www.led-llc.com

