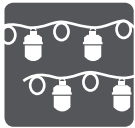


TEMPORARY WORK SITE LIGHTS INTEGRATED POWER CORD



120V

VOLTAGE



DAISY-CHAIN



110
LPW

EFFICACY



-40°F to 122°F

OPERATING TEMP



IP64
RATED

INGRESS PROTECTION



REMOTE CONTROL



80+

CRI



L70
>50,000

RATED LIFE



YEAR
5
WARRANTY

WARRANTY

super bright & durable



expansion outlet



built construction tough

- Available in 60W, 100W and 150W comparable up to 600W HID.
- Daisy-chain multiple lights together, up to 600W at 120V.
- Each light comes with an integrated power cord (20' on 60W and 35' on other models) and expansion outlet.
- Integrated power cord eliminates need for extra extension cords.
- Metal cord retainer ensures the lights stay plugged in when daisy-chained together.
- Integrated carry handle/hanging hook with spring loaded lever allows for quick, secure hanging.
- High CRI with low power consumption for the most efficient work site.
- No bulbs or ballasts to replace.

STOCK ITEMS

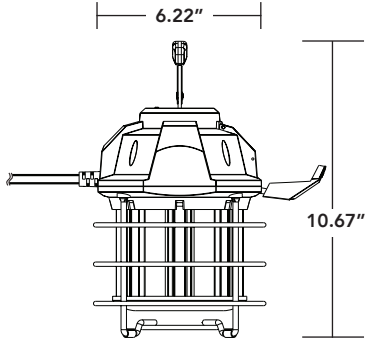
PART #	UPC	COMPARABLE TO	WATTAGE	LUMENS	LPW	CCT (K)
LED-9006-50K	844006091033	250 HID	60W	6600	110	5000K
LED-9010-50K	844006091040	400 HID	100W	11000	110	5000K
LED-9015-50K	844006091057	600 HID	150W	16500	110	5000K



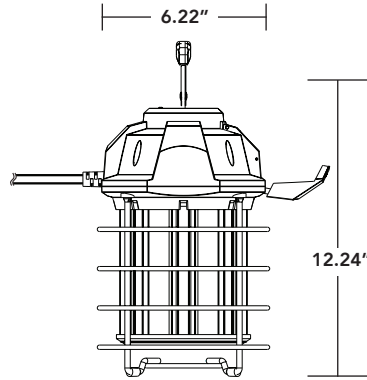
TEMPORARY WORK SITE LIGHTS INTEGRATED POWER CORD



LED-9006-60W



LED-9010-100W



LED-9015-150W

